

GPS Pathfinder® Pocket Receiver

Serial Port Pinouts

Summary

This TIP describes the pinouts for the GPS Pathfinder® Pocket serial port.

Description

As you look at the DE-9 connector on the GPS Pathfinder Pocket receiver, the pins are numbered and described as follows:

1 2 3 4 5
6 7 8 9

DE-9	Signal	Type	In/Out	Description
1	Not connected			
2	Tx1	RS-232	Out	Data out
3	Rx1	RS-232	In	Data in
4	Not connected			
5	Ground			Ground
6	Rx2	RS-232	In	Data in (RTCM)
7	Turn on	RS-232	In	Turn receiver on
8	Not connected			
9	Power in	5v dc	In	External power in



Trimble Navigation Limited
645 North Mary Avenue
Post Office Box 3642
Sunnyvale, CA 94088-3642
<http://www.trimble.com>

Product:	GPS Pathfinder Pocket	Date Created:	2 April 2001
Model / Version:	V1.00	Date Last Altered:	4 April 2001
Originator:	Tim Brown	Approved:	Aaron Webb

© Copyright 2001, Trimble Navigation Limited. All rights reserved. GPS Pathfinder is a trademark of Trimble Navigation Limited, registered in the United States Patent and Trademark Office. The Globe and Triangle logo, and Trimble are trademarks of Trimble Navigation Limited. All other trademarks are the property of their respective owners. This document is for informational purposes only. Trimble makes no warranties, expressed or implied, in this document.

GPS Pathfinder® Pocket Receiver

Null Modem Cable Pinouts

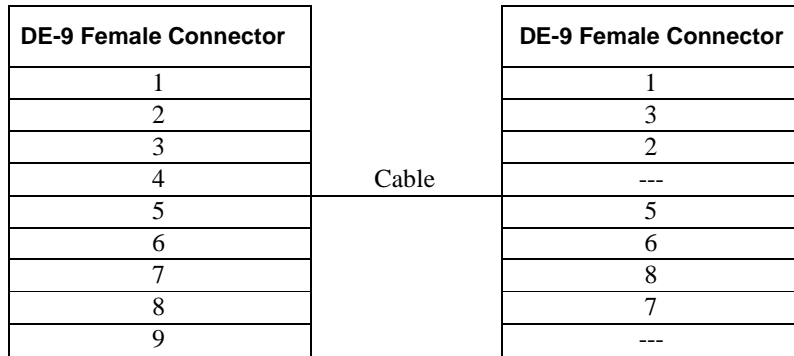
Summary

This TIP describes the connector pinouts for the GPS Pathfinder® Pocket null modem cable (part number 43377).

Description

As you look at the DE-9 connectors on the null modem cable, the pins are numbered as follows:

5 4 3 2 1
9 8 7 6



Product:	GPS Pathfinder Pocket	Date Created:	2 April 2001
Model / Version:	V1.00	Date Last Altered:	4 April 2001
Originator:	Tim Brown	Approved:	Aaron Webb



Trimble Navigation Limited
645 North Mary Avenue
Post Office Box 3642
Sunnyvale, CA 94088-3642
<http://www.trimble.com>

© Copyright 2001, Trimble Navigation Limited. All rights reserved. GPS Pathfinder is a trademark of Trimble Navigation Limited, registered in the United States Patent and Trademark Office. The Globe and Triangle logo, and Trimble are trademarks of Trimble Navigation Limited. All other trademarks are the property of their respective owners. This document is for informational purposes only. Trimble makes no warranties, expressed or implied, in this document.